

Technical Information about Sliding Door Systems



Sliding Door Systems

Our sliding doors can be adapted to any room situation and are characterised by their precise and smooth operation. The precise roller guidance runs both at the top and bottom within tracks, allowing adaptation to rooms with, for example, uneven floors. The wide range of design options, from differently coloured panels to an innovative mullion system, allows you to customise sliding doors according to your preferences!

Advantages of our sliding door systems:

- The roller guidance is precise and exact within the tracks.
- Tandem rollers with maintenance-free ball bearings prevent wear and tear.
- The sliding doors operate quietly.
- Self-centering guidance of sliding doors within the tracks.
- Sliding doors with decorative finishes up to 1.36 metres (width) x 3 metres (height) are possible.
- Glass sliding doors up to 1.25 metres (width) x 2.62 metres (height) are possible.
- Door weight up to 100 kg is possible.
- System extension and expansion are possible.
- Easy installation.



Experience our sliding doors for yourself and order a sample sliding door today! This way, you can test our quality at home.

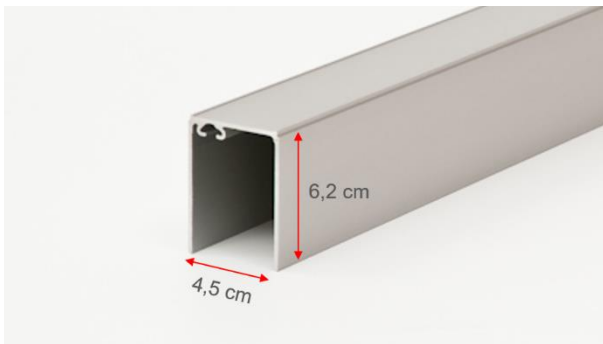
This document presents technical information on the following areas:

Tracks.....	2
Stoppers.....	3
Soft-Closing.....	3
Cover Panels.....	4
Floor Tracks.....	4
Recessed Floor Track.....	4
Surface-mounted Floor Tracke.....	5
Profiles.....	5
Handle Profiles.....	5
Frame Profiles.....	6
Horizontal Mullion Profiles.....	6
Sealing Gaskets.....	7
Tandem Rollers.....	7
Panels.....	8

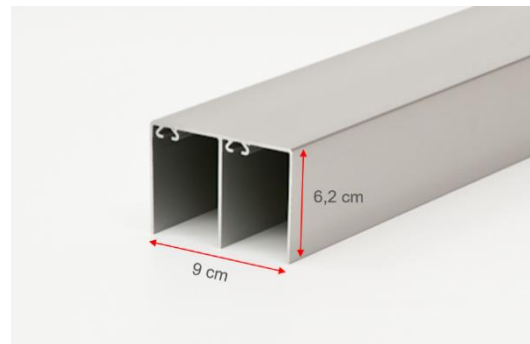
Guide Rails

The guide rails are fastened to the ceiling with dowels and mounted to the wall with brackets for wall installation. Guide rails assist the sliding door in operating smoothly. Depending on the type and usage of the sliding door, single-, double-, or triple-track guide rails are recommended. All guide rails are 6.2 cm high, ensuring the sliding door is secure, preventing it from slipping out of the track or being obstructed.

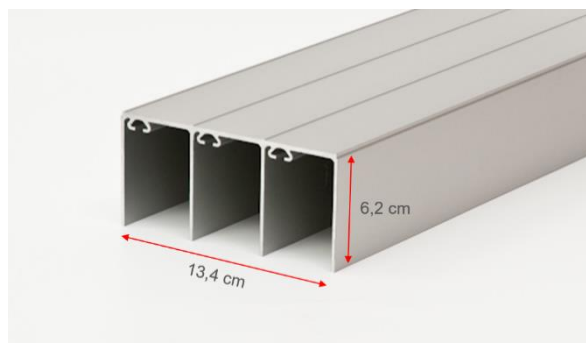
The single-track guide rail is recommended when only one door leaf is installed, for example, when using a sliding door as a passage door. The double-track sliding door can be used with two or more door leaves as desired. Similarly, the triple-track sliding door can be installed for three or more door leaves. However, it should be noted that the triple-track sliding door requires more space compared to the double-track option.



Single-Track Guide Rail



Double-Track Guide Rail



Triple-Track Guide Rail

Stopper

The stopper in the guide rail is included in the delivery. It is mounted inside the guide rail and prevents the sliding door from slamming shut.



Stopper

Soft-Close Mechanism

For extra smooth-closing comfort, you can equip your sliding door with a soft-close mechanism. With the soft-close mechanism, your sliding door slows down before reaching the stop and then gently glides to its final position.



Complete Soft-Close Mechanism



Soft-Close Carrier

Cover Panel

The guide rail can be equipped with a cover panel if the sliding door does not extend from wall to wall. This allows the guide rail to have an elegant finish.



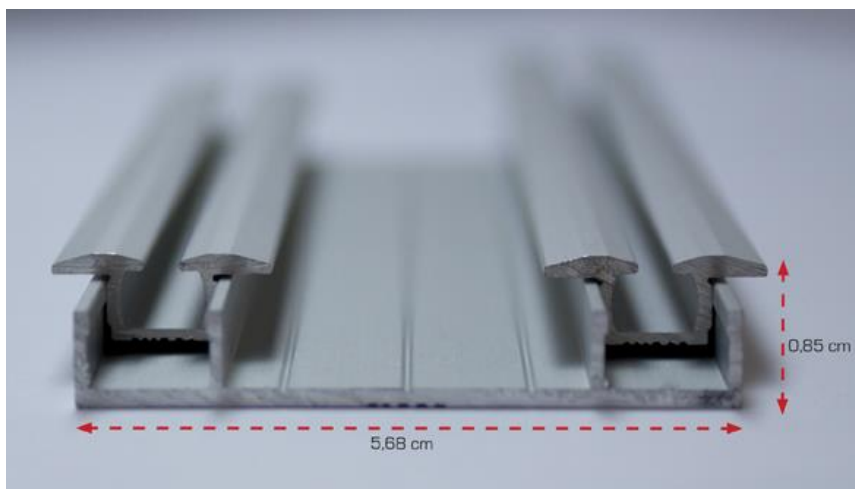
Cover Panel

Floor Tracks

Floor tracks are used to securely fasten the sliding door to the floor. The sliding door then moves along the track on small double rollers. You can choose between two types of floor tracks: recessed or surface-mounted.

Recessed Floor Track

The recessed floor track can be used for almost any type of flooring and is installed almost flush with the floor.



Double-Track Recessed Floor Track

Surface-Mounted Floor Track

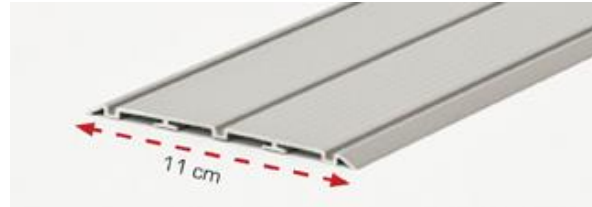
The surface-mounted floor track is supplied in an especially flat design. The contact or visible surface is only 4.5 mm high. The floor track can easily be glued to any solid floor covering using silicone. The required silicone adhesive is included in the delivery. For carpeted floors, it is advisable to simply cut out the area where the floor track will be placed. If the situation requires, you can also screw the floor track in place instead of gluing it.



Single-Track Surface-Mounted Floor Track



*Double-Track
Surface-Mounted Floor Track*



*Triple-Track
Surface-Mounted Floor Track*

Profiles

Handle Profiles

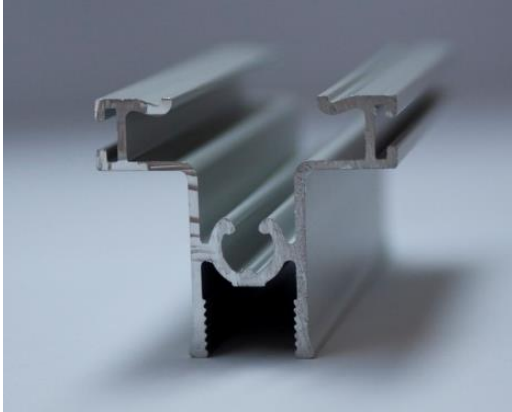
Handle profiles on sliding doors are used for opening and closing the sliding door. Our sliding doors do not have additional handles. This is a double advantage because the frame of the sliding door also serves as a discreet handle, avoiding prominent handles that might disrupt the harmonious appearance of your sliding door.

The profile is 4 cm wide, providing enough space for opening and closing. Since the frame doubles as a handle, smudges on smooth surfaces like glass are minimised. The handle profiles are highly durable and can withstand heavy use.



Frame Profile

The frame profiles hold the panels securely in place at the top and bottom.



Top Frame Profile



Bottom Frame Profile

Horizontal Mullion Profiles

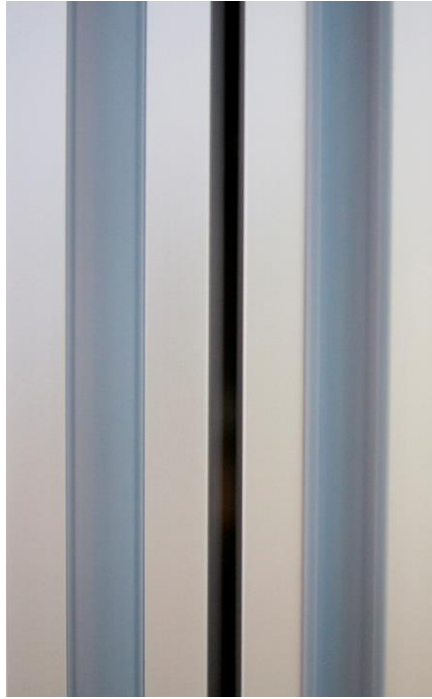
The elegant mullion profiles give the sliding door attractive visual accents. Using the mullions, you can divide your sliding door horizontally. This allows you to give your sliding door a unique look or combine different panels. The mullions can generally be positioned at any height as desired.



Mullions with Different Panels

Sealing Gasket

To prevent the sliding doors from colliding and to ensure a flush closure, they are equipped with a rubber sealing gasket. The sealing gasket is attached to the handle profile.



Sealing Gasket

Tandem Rollers

The tandem rollers securely support the sliding door when opening and closing along the tracks. Especially large sliding doors and glass panels can significantly increase the weight burden on the rollers. For this reason, your new sliding door is equipped with sturdy tandem rollers. Each door leaf is fitted with two tandem rollers, ensuring optimal weight distribution.



Tandem Rollers

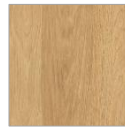
Panels

At [Furnfab.com/en](https://www.furnfab.com/en) you can customise your sliding door to suit your personal preferences. You can choose from a wide range of high-quality plain and coloured decorative panels, wood-coloured panels, lacquered and frosted glass, or mirrors. Naturally, we only offer safety glass from local glass production. A special feature of the decorative panels is their permanent light resistance. The decorations do not fade over time and look just as good years later as they did on the first day!

Decorative Panels:



Pine Whitewashed



Oak Country



Beech



Beech Toscana



Wild Oak



Natural Walnut

Glass Panels:



ESC Glass Clear



ESC Glass Frosted

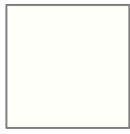


Glass-White



Mastercarre

Solid Colour Panels:



Alpine White



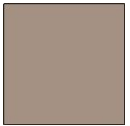
Cream White



Light Grey



Medium Grey



Stone Grey



Anthracite



Black



Wine Red



Cashmere Grey

Still have questions?

Many questions can be resolved quickly and easily by phone or email. Our team is happy to assist you by phone or email.

Phone:

+44 (0) 131 608 34 77

E-Mail:

service@furnfab.com

Postal Address:

Furnfab.com England

Rheinische Möbelwerke GmbH

Industriestraße 2

53359 Rheinbach